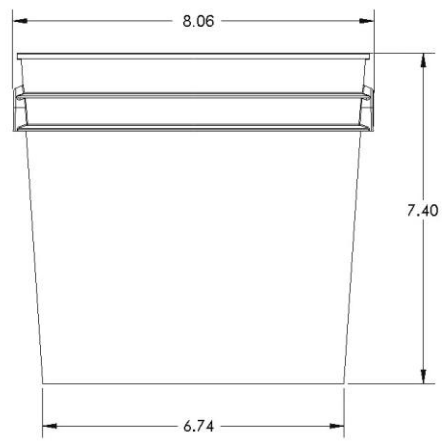


# 1 Gallon Heavy Duty Round Container

## Features

- Heavy duty one gallon
- Reinforcing ribs to maintain container shape
- Tapered design provides for container nesting
- 6 color offset print capability
- Metal handle with grip



**PRODUCT CODE**.....1K

**COMPATIBLE LID**..... 1L

### SPECIFICATIONS

Height.....7.40"  
Outer Diameter.....8.06"  
Thickness.....80 mil  
Print Area.....20.75" x 3.50"  
Resin.....HDPE

### VOLUME

Practical Fill.....1.05 gal. / 3.8 liters  
Overflow.....1.12 gal. / 4.24 liters

### PACKAGING

Pack Count.....600  
Pack Dimensions.....47.9" x 38.6" x 40.6"  
Cubic Feet.....43.4  
Packs per Pallet.....2

### ORDER QUANTITIES (53' Truckload)

1K & 1L ..... 25,200 bases & lids

52585 Dequindre Road  
Rochester, MI 48308

Phone 248-652-0557  
Toll Free 800-Letica-1  
Fax 248-608-2092  
letica.com



Coast to Coast  
Manufacturing Capabilities

The above information is general sales material only. LETICA MAKES NO WARRANTIES HEREIN, EXPRESS OR IMPLIED, INCLUDING THE WARRANTY OF MERCHANTABILITY OR FITNESS FOR A PARTICULAR USE OR PURPOSE. As Letica continues to improve its products and processes, Letica reserve the right to alter or modify any product and/or specification at any time without notice or obligation. Please contact your Letica sales representative to ensure you have the most recent product information. Rev. 0