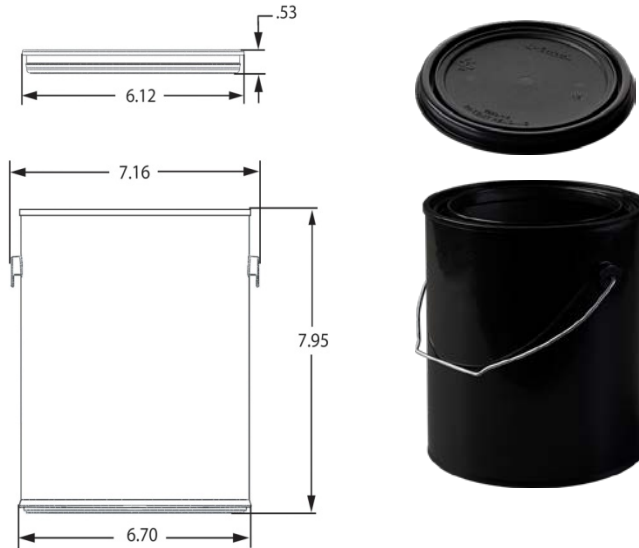


# 1 Gallon Dual-Seal<sup>®</sup> All-Plastic Round Paint Can

## Features

- Patented Dual-Seal<sup>®</sup> U-Channel compression locking system provides an air-tight seal, excellent drop strength and security against leakage
- Superior all-plastic design eliminates dents and corrosion
- Excellent performance for packaging paint and coatings
- Unique new lid designed for easy on/off and prevents sprayback when resealing
- Standard 1-gallon size is fill line and shaker machine compatible
- Aggressive texture on the underside of lid to help reduce skinning of low VOC paints
- Offset print capability on lid
- Polished lid top for better label adhesion
- Accepts metal or plastic handle
- 100% recyclable



**PRODUCT CODE**.....1PC  
**LID PRODUCT CODE**.....1LPC  
**METAL OR PLASTIC HANDLE (sold separately)**..... PCMH/PCPH

### SPECIFICATIONS: CONTAINER

Height.....7.95"  
 Outer Diameter.....7.16" (ear-to-ear)  
 Thickness......60 mil  
 Resin..... Recycled PP

### VOLUME

Practical Fill..... 128 oz. / 1 gal. / 3.79 liters  
 Max. Fill .....132 oz. / 1.03 gal. / 3.90 liters

### PACKAGING

Pack Count.....252  
 Pack Dimensions.....48.6" x 41.6" x 48.1"  
 Cubic Feet.....56.3  
 Packs per Pallet (double stacked for shipment).....1

### SPECIFICATIONS: LID

Outer Diameter.....6.12"  
 Thickness......50 mil  
 Resin.....Recycled PP

### PACKAGING

Pack Count.....252/box  
 Box Dimensions.....18.9" x 12.8" x 22"  
 Cubic Feet.....3.1  
 Boxes per Pallet .....28

### ORDER QUANTITIES (53' Truckload)

1PC & 1LPC.....14,112 bases & lids

The above information is general sales material only. LETICA MAKES NO WARRANTIES HEREIN, EXPRESS OR IMPLIED, INCLUDING THE WARRANTY OF MERCHANTABILITY OR FITNESS FOR A PARTICULAR USE OR PURPOSE. As Letica continues to improve its products and processes, Letica reserve the right to alter or modify any product and/or specification at any time without notice or obligation. Please contact your Letica sales representative to ensure you have the most recent product information.

52585 Dequindre Road  
Rochester, MI 48307-2321

Phone 248-652-0557  
Toll Free 800-Letica-1  
Fax 248-608-2092  
letica.com



Coast to Coast  
Manufacturing Capabilities